

Designs By Vision

Ty - Rite Anchoring System

U.S. Patent No. 8,572,905 B1

Drawing Index

- A-1 Floor Plan
- A-2 Elevations
- A-3 Section View
- S-1 Foundation Plan
- S-2 Structural Notes

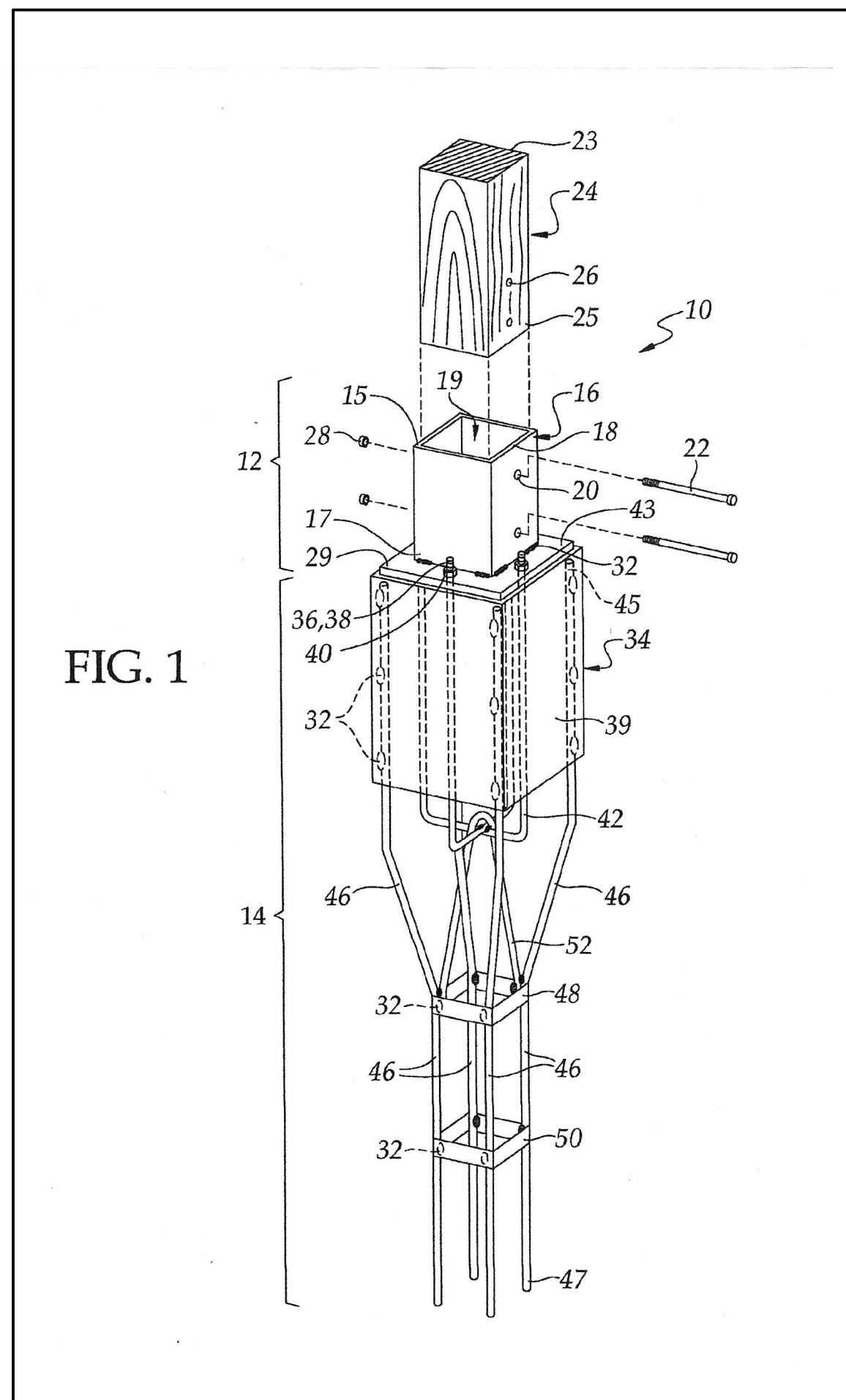


FIG. 1

FLORIDA INFORMATION

Applicable Codes

Florida Building Code; Building
 Florida Building Code; Existing Buildings
 National Electric Code

2010 Edition
 2010 Edition
 Current Edition

General Contractor

D d Contractors' LLC
 6208 Seminole Dr.
 Panama City, FL 32404
 FL CGC1509521

Professional Engineer

Kurt W. Olson, P.E.
 7318 Kingsman Rd.
 Panama City Beach, FL 32408